

# permaramp<sup>®</sup>

## INSTRUCTION MANUAL



So easy to choose, fit and use.





## Important Safety Information for before you start...

- Observe product weight and correct use.
- Carefully read all instructions and retain for reference.
- Remove all packaging, check contents and ensure the products have not been damaged in transit.
- Retain packaging.
- Pay attention to any sharp corners during assembly. We recommend gloves are worn.
- Please ensure all nuts and bolts are fully fastened and ensure the correct installation of all components before use.

## permaramp®-original

For fixing straight to the threshold, ideal for wooden door thresholds


















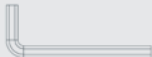
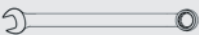
The published capacity depends on substantial support across the full width at the ramp end of the lip\* position. Use Permaramp-Adjust if a fully self-supporting solution is required.

## permaramp®-adjust

Totally adjustable and self-supporting, great for PVC door thresholds



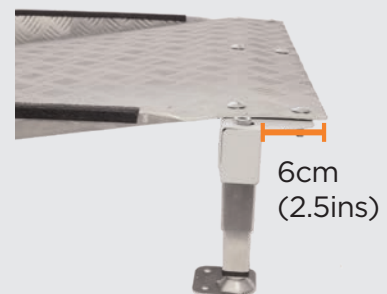
# PA/PAW Spine Parts List

|       |   | Parts List                            | Qty | Notes                                  |
|-------|---|---------------------------------------|-----|--|
| Spine |    | PA/PAW Spine                          | 1   | PA: 790mm, PAW: 930mm                  |
|       |    | Bracket                               | 2   |  |
|       |    | Spine/Bracket Bolts                   | 10  | M8 (8mm) x 2.5cm Coach Bolt            |
|       |    | Leg Securing Bolt                     | 2   | M5 (5mm) x 4.5cm Coach Bolt            |
|       |    | Leg Securing Nut                      | 2   | M5 (8mm Spanner)                       |
| Legs  |    | Main Leg Outer                        | 2   |  |
|       |    | Main Leg Inner                        | 2   |  |
|       |    | Jacking Screw                         | 2   | (8mm Hex Key for height adjustment)    |
|       |    | Low Leg Insert                        | 2   | Insert in Spine Brackets               |
| Feet  |   | Adjustable Foot Plate With Hex Recess | 2   |  |
|       |  | Low/High Leg Screw                    | 2   | M10 X 9cm (17mm Spanner)               |
|       |  | Low Leg Screw                         | 2   | M10 X 6.5cm (17mm Spanner)             |
|       |  | Standard Leg Screw                    | 2   | M10 X 2.5cm (17mm Spanner)             |
|       |  | Lock Nuts for Leg Screws              | 6   | M10 (17mm Spanner)                     |
| Other |  | M8 Flange Nut                         | 10  | For All M8 Screws/Bolts (13mm Spanner) |
| Tools |  | 8mm Hex/Allen Key                     | 1   |  |
|       |  | 8mm Combination Spanner               | 1   |  |
|       |   | 13mm Combination Spanner              | 1   |  |
|       |   | 17mm Combination Spanner              | 1   |  |

## STEP 1

### How to attach the spine

The spine can be secured in two positions on the Permaramp - at the end, or set back on the slope to allow for protruding thresholds, e.g. uPVC door sills.





# permaramp®-adjust Installation

## STEP 2 Leg Assemblies



### OPTION A

#### Low Leg Assembly

For heights of 7.5 - 15cm (3 - 6ins)

1. Fit Low Leg Insert into Bracket
2. Attach Bracket to PA/PAW Spine with Spine/Bracket Bolts and M8 Flange Nuts
3. Assemble using correct Leg Screw as required

Max between Lock Nuts:

**5cm**

(9cm Leg Screw)

**2.5cm**

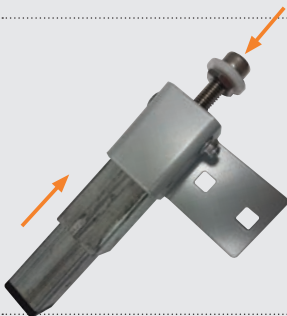
(6.5cm Leg Screw)



### OPTION B

#### Standard/High Leg Assembly

1. Fit Main Leg Outer to Bracket and secure with Leg Securing Bolt and Nut



2. Insert Main Leg Inner from below and Jacking Screw from above.

3. Then attach the Bracket and leg assembly to the PA/PAW Spine with Spine/Bracket Bolts and M8 Flange Nuts



#### Standard Leg Assembly

For heights of 15 - 21cm (6 - 8.3ins)

Adjust height using 8mm Hex key

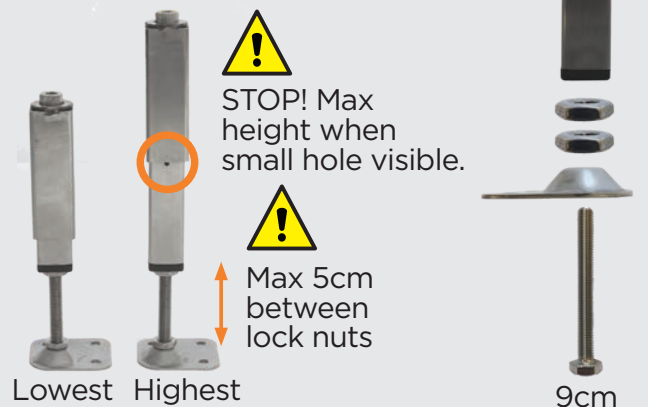


### OPTION C

#### High Leg Assembly

For heights of 20 - 26cm (8 - 10.3ins)

Adjust height using 8mm Hex key



#### Gradients

All leg/foot configurations can be used for ramp gradients of up to 1:6. Simply loosen nut above foot as required and tilt to required angle.



**!** Permaramp-Adjust has been successfully tested to support loads in excess of the stated capacity. The ramp itself must be securely fixed to prevent excessive side-ways load or movement being supported by the Permaramp-Adjust leg. 90/120/150cm lengths must be secured at least one end of the ramp. 180cm and longer must be secured both ends. Use minimum two secure fixings to ground each foot.

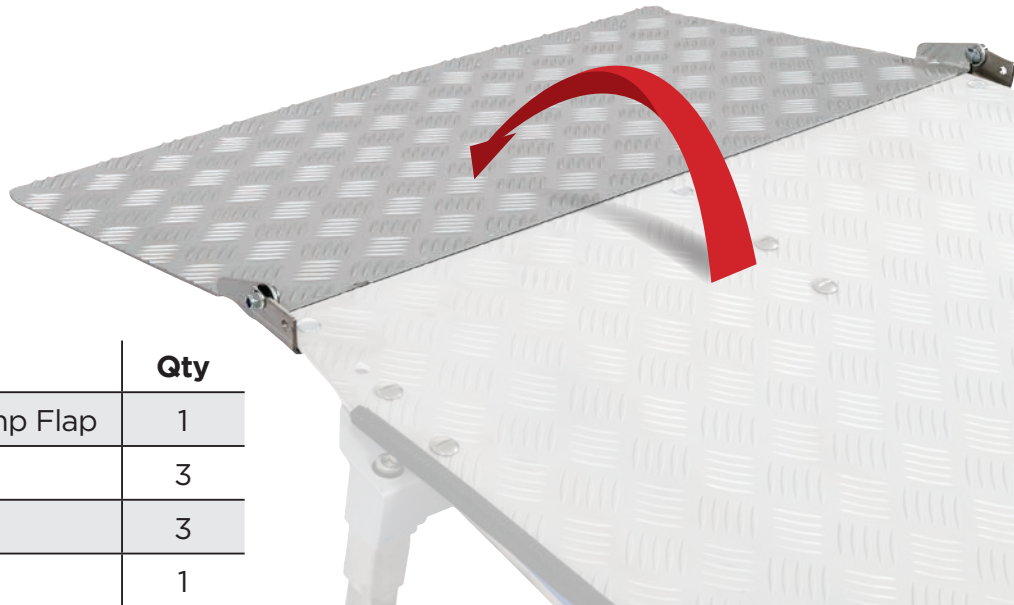
**!** Refer to all images and ensure all components, fixings and fasteners are used and secured correctly before use.

# permaramp®-entry flap

PE5

For use with standard width Permaramp-Adjust, ordered separately

“The ultimate semi-permanent uPVC threshold bridging accessory”



| Contents                 | Qty |
|--------------------------|-----|
| Assembled Permaramp Flap | 1   |
| M6 Coach Bolts           | 3   |
| M6 Flange Nuts           | 3   |
| 10mm Spanner             | 1   |

## Important Information:

- Ideal for inward-opening and sliding door types
- Ask for assistance with any other applications
- An additional wedge type ramp can be used inside to increase the height range
- Width: 70cm (27.5ins) Length: 45cm (18ins)
- The stored flap is raised above the main Permaramp surface
- Max. inside height depends on slope of the Permaramp. Gentler slope = more inside height. As a guide, 1:12 slope outside = approx. 10cm (4ins) height inside

## Installations

1. Install so top lip of Permaramp is as close to threshold as possible ensuring installation does not interfere with door operation
2. Ensure the flap folds fully down onto the Permaramp
3. Strap handle can be fitted either side of flap



Observe product weights and use appropriate correct manual handling techniques and equipment. Be aware of pinch points between moving parts.

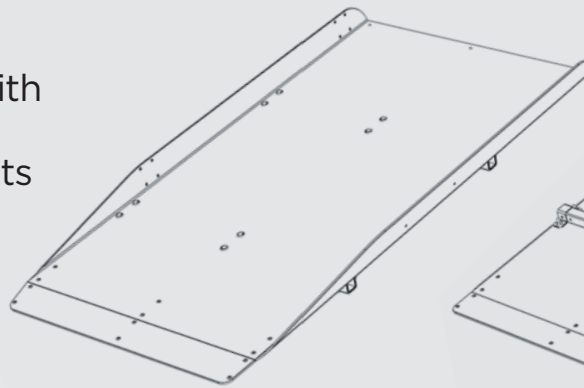
# permaramp®-quickrails

Permaramp-Original or Permaramp-Adjust from 1.2m long, regular width or superwide

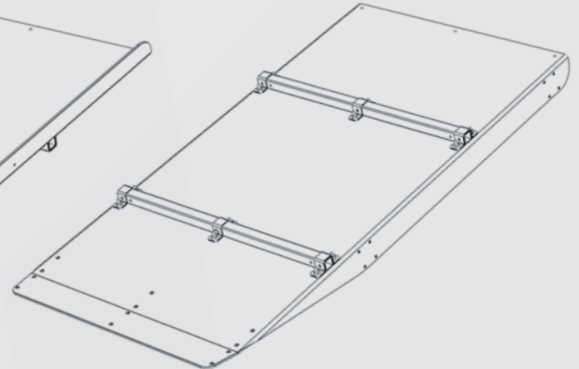


## Kits include:

Permaramp with factory-fitted handrail sockets



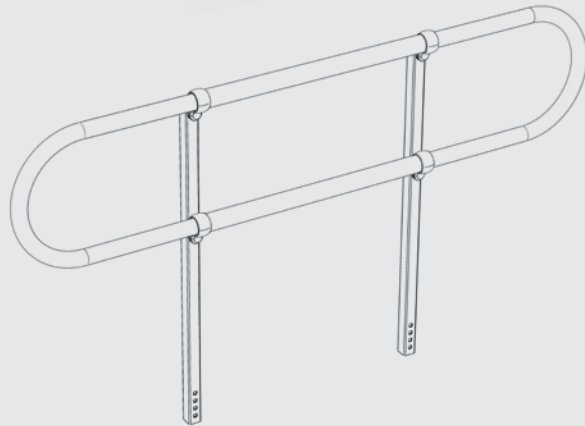
Top view



Underside view

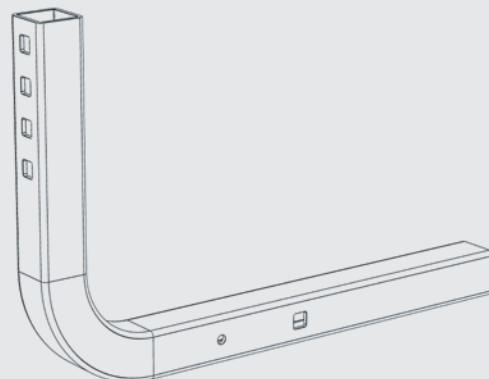
## Each rail includes:

1x Pre-Assembled Handrails



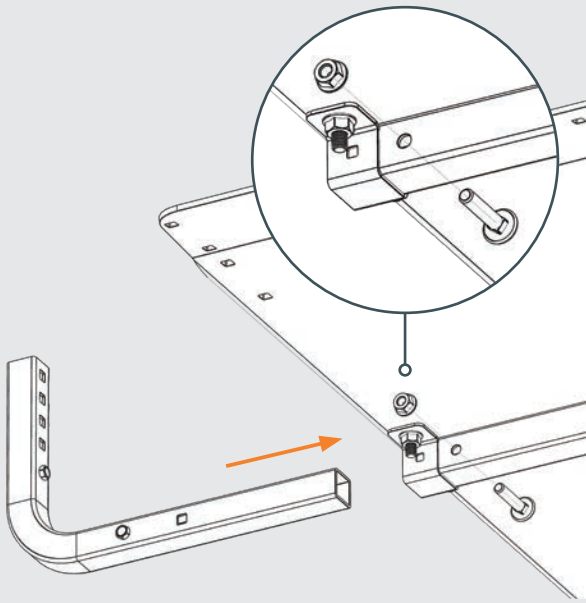
And 1 x Elbow kit including:

- 2x Quickrail Elbows
- 6x M8 x 4cm Coach Bolts
- 6x M8 Flange Nuts
- 4x M8 Black Nyloc Dome Nuts

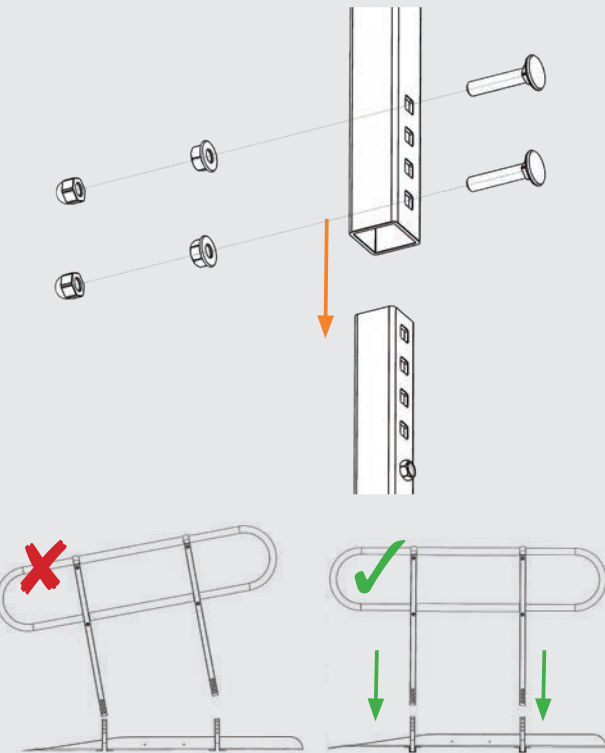




- 1 Firstly fit and fasten both elbows to the handrail sockets beneath the ramp.
- 2 Then fit and fasten the handrail.

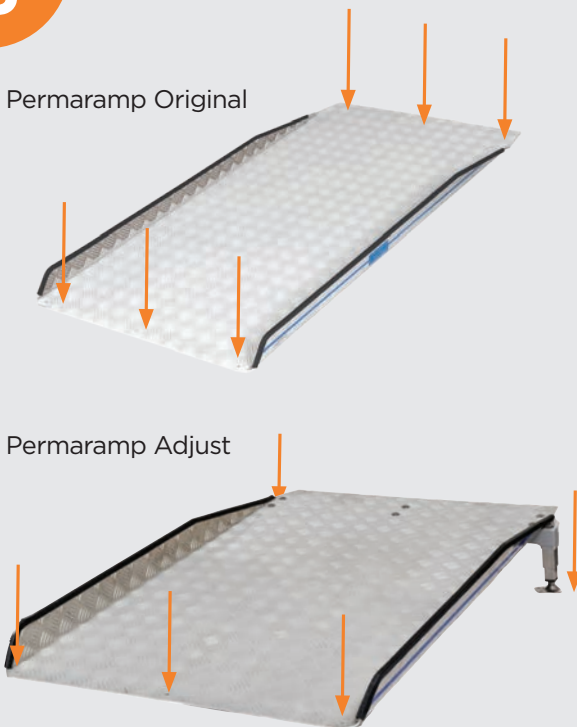


**Important:** Insert bolts through the large hole side in the handrail sockets.



**Important:** Take care to lower the handrail onto the elbows equally.

- 3 Fix the ramp in place.

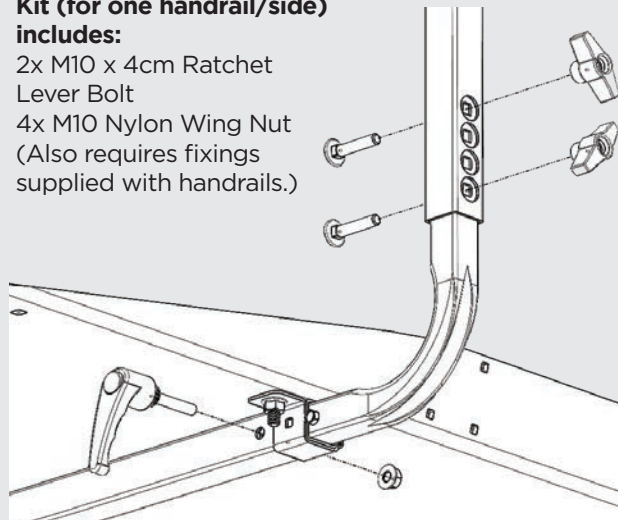


**Important:** All Permaramps with Quickrails must be securely fixed at the upper and lower ends.

### No Tools Kit (PRNTK)

**Kit (for one handrail/side) includes:**

- 2x M10 x 4cm Ratchet Lever Bolt
- 4x M10 Nylon Wing Nut (Also requires fixings supplied with handrails.)



1. Fit the elbow, then insert the Ratchet Lever Bolts through the small hole side of the handrail sockets beneath the ramp.
2. Apply the Flange Nut finger tight, then tighten firmly using the ratchet lever. (Squeeze the red button and lever to adjust the position as required.)
3. Fit the handrail and insert the Coach Bolts from the ramp side through the upper and lower square holes. Secure with the Nylon Wing Nuts on the outside.

# Product Specifications

| permaramp®-original           |              |              |                | permaramp®-adjust |              |              |
|-------------------------------|--------------|--------------|----------------|-------------------|--------------|--------------|
| Length                        | Code         | Capacity     | Ramp Weight    | Code              | Capacity     | Ramp Weight  |
| <b>76cm (30ins) width</b>     |              |              |                |                   |              |              |
| 90cm (3ft)                    | <b>PO9</b>   | 400kg (63st) | 8.5kg (19lbs)  | <b>PA15</b>       | 400kg (63st) | 10kg (22lbs) |
| 120cm (4ft)                   | <b>PO12</b>  | 400kg (63st) | 12kg (26lbs)   | <b>PA12</b>       | 400kg (63st) | 14kg (31lbs) |
| 150cm (5ft)                   | <b>PO15</b>  | 400kg (63st) | 15kg (33lbs)   | <b>PA15</b>       | 400kg (63st) | 18kg (40lbs) |
| 180cm (6ft)                   | <b>PO18</b>  | 400kg (63st) | 18.5kg (41lbs) | <b>PA18</b>       | 400kg (63st) | 22kg (48lbs) |
| 210cm (7ft)                   | <b>PO21</b>  | 350kg (55st) | 22kg (49lbs)   | <b>PA21</b>       | 350kg (55st) | 26kg (58lbs) |
| 240cm (8ft)                   | <b>PO24</b>  | 300kg (47st) | 25kg (55lbs)   | <b>PA24</b>       | 300kg (47st) | 30kg (65lbs) |
| <b>90cm (36ins) Superwide</b> |              |              |                |                   |              |              |
| 90cm (3ft)                    | <b>POW9</b>  | 400kg (63st) | 12.5kg (28lbs) | <b>PA15</b>       | 400kg (63st) | 14kg (22lbs) |
| 120cm (4ft)                   | <b>POW12</b> | 400kg (63st) | 16kg (35lbs)   | <b>PAW12</b>      | 400kg (63st) | 18kg (40lbs) |
| 150cm (5ft)                   | <b>POW15</b> | 400kg (63st) | 19kg (42lbs)   | <b>PAW15</b>      | 400kg (63st) | 22kg (48lbs) |
| 180cm (6ft)                   | <b>POW18</b> | 400kg (63st) | 22.5kg (50lbs) | <b>PAW18</b>      | 400kg (63st) | 26kg (57lbs) |
| 210cm (7ft)                   | <b>POW21</b> | 350kg (55st) | 26kg (57lbs)   | <b>PAW21</b>      | 350kg (55st) | 30kg (66lbs) |
| 240cm (8ft)                   | <b>POW24</b> | 300kg (47st) | 29kg (64lbs)   | <b>PAW24</b>      | 300kg (47st) | 34kg (75lbs) |

Ramp only

## Handrail Colour Options

Add suffix to above codes for colour option if required

| Colours  |   | Code Suffix |
|--|---|-------------|
| Original Graphite                              |   | No suffix   |
| Original Graphite with Safety Yellow handrails |  | -Y          |
| Garden Green                                   |  | -G          |
| Heritage Brown                                 |  | -B          |

## Permaramp - Quickrails dimensions:

- Adds 12.5cm (5ins) to the ramp width each side the Quickrails are added
- The Quickrail length is the same as the ramp length and can be adjusted if required.
- Handrail height is 92cm (36ins)
- The handrails uprights are 45cm (18ins) from each end of the ramp.

## Ask for more information about:

- Retrofitting permaramp®-quickrails™
- Options for increased capacity
- 'Portable' type applications for events, etc

### Product warranty

- This product carries a comprehensive 2-year warranty for normal use; conditions apply.
- Use other than published/intended will void the warranty.
- Any modification/repair by anyone other than the manufacturer will void the warranty.
- Proof of purchase will be required.
- Some visible rusting/discoloration may occur, particularly on the edges of some components. This is normal and is not covered by the warranty.

### About Gripdeck®

- 'Gripdeck®' surface is a highly effective access ramp surface that has been proven in use in both residential and public applications throughout the UK and beyond for many years.
- Use in bare feet or without footwear is not recommended as in different weather conditions the ramp surface can become very hot or very cold.

### Capacity:

**Important Note:** The stated product capacity requires product to be securely fixed to the ground.

### Maintenance

- All fixings and fittings should be regularly checked to ensure they have not become dislodged or loose in use and are secure and safe.
- Regularly check that the ramp is in good condition.
- If the ramps become damaged or slippery or any fixings and fittings become loose in any way they should not be used (contact supplier/manufacturer).
- Care should be taken in extreme conditions, such as snow and ice, that the surface is cleared which is the same as any roadside pathway.
- The ramps may be cleaned with normal cleaning products and left to dry before use.
- Maximum recommended cleaning temperature 50°C.

### Recycling:

If you no longer require this product and it has been supplied to you as loan equipment from your local authority or a charity, please contact the service who loaned it to you and discuss its return/removal from your property. If this is your own product and you wish to dispose of it, please liaise with a local recycling service.



T. +44 (0)20 8275 0375 E. sales@enable-access.com

[www.enable-access.com](http://www.enable-access.com)

Enable Access | Unit R | Cherrycourt Way | Leighton Buzzard | LU7 4UH

EC REP Enable Access Global Ltd | 27 Phibsboro Place | Dublin 7 | D07 V20 | Republic of Ireland